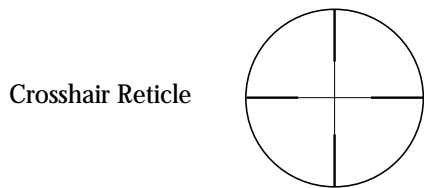




SCIMITAR PRO™

GEN 2+ DAY/NIGHT WEAPON SIGHT

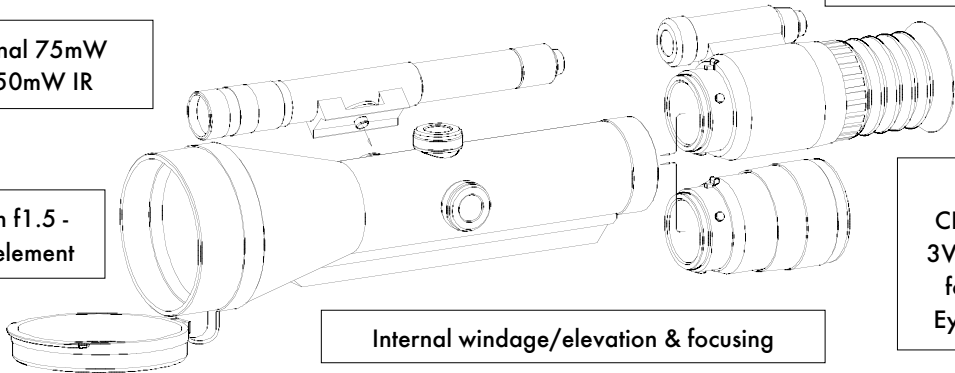


Weaver® Mount Included

Interchangeable Day/Night Eyepiece

Optional 75mW or 150mW IR

100mm f1.5 - 66mm element



1x CR123A 3V Lithium for NV Eyepiece

Internal windage/elevation & focusing

Dimensions:	305 x 74 x 74mm	Eyepiece:	+2/-4
Weight:	Day 970g/Night 1060g	IR Illuminator:	Optional high power 75mw or 150mW
Objective Lens:	100mm f1.5	Battery :	1 x CR123A 3V Lithium
Magnification:	Day 5.0x/Night 4.0x	Temp. range:	-40 °C - +50 °C
Field of view:	10°	Humidity:	Maximum 98% Relative Humidity
Focusing:	6.0m - ∞	Guarantee:	1 Year Exchange